



20 years FleiKa-Tripods

Drilling stands



KF 160



KF 250



KF 400



KF 600



KF 700



KF 1000

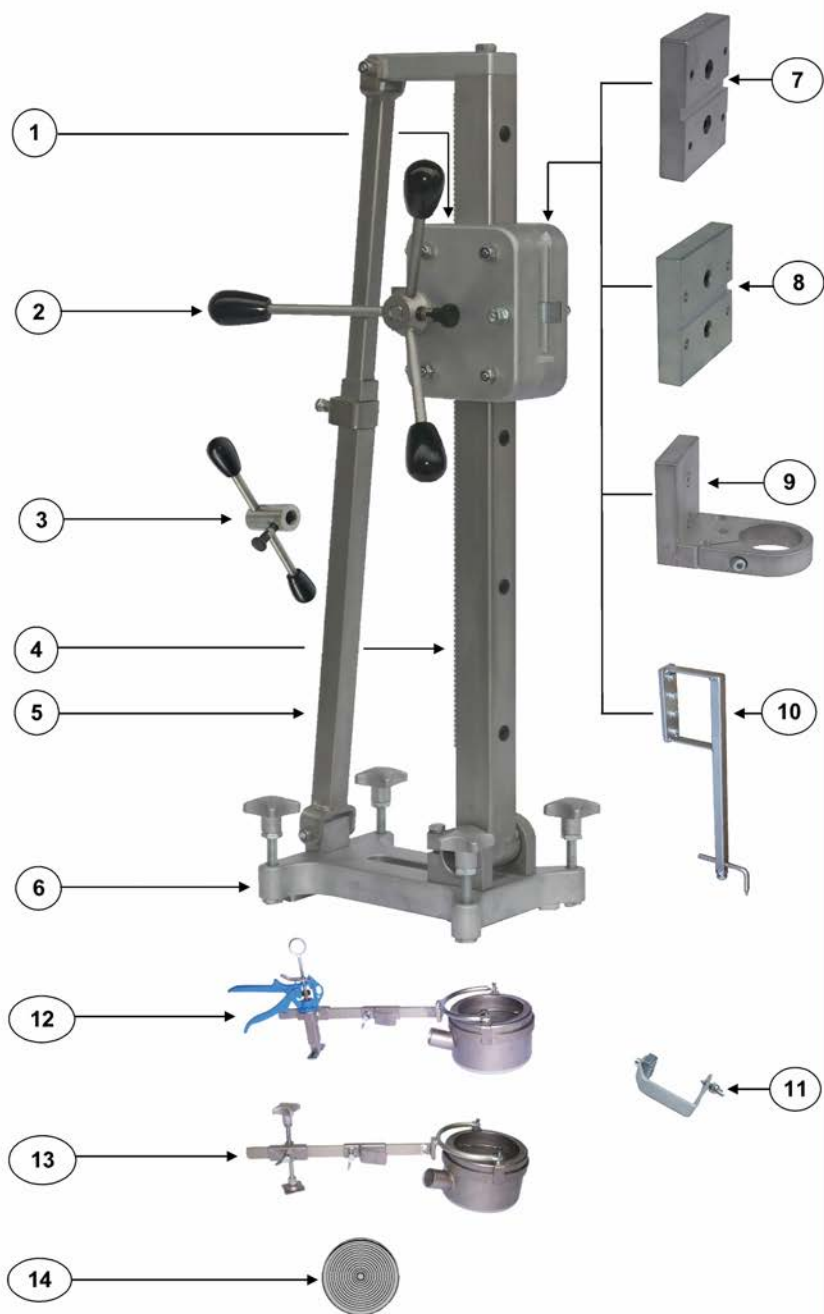
Copyright © 2015 by FleiKa-Maschinen- und Anlagenbau GmbH & Co KG

Information: Changes to the drill stands we reserve the right.

Fleika Maschinen und Anlagenbau GmbH Co. KG

Koblberg 1, 83564 Soyen, Tel. 0049-8071-95094, Fax 0049-8071-51375, E-Mail: info@fleika.de

Drill Stands KF 160



components and parts list KF 160

Item	Designation	Order no.	Piece	Price/Pice
1	Carriage cpl.	160.1.00 K	1	
2	Crank cpl.	160.2.00 K	1	
3	Single lever crank cpl.	160.3.00 K	1	
4	Column cpl.	160.4.00 K	1	
5	Support cpl.	160.5.00 K	1	
6	Foot plate steel cpl.	160.6.00 K	1	
7	Drilling motor plate 80 cpl.	160.7.00 K	1	
8	Drilling motor plate 100 cpl.	160.8.00 K	1	
9	Instep neck adapter cpl.	160.9.00 K	1	
10	Drilling middles indicator cpl.	160.10.00 K	1	
11	End stop cpl.	160.11.00 K	1	
12	Drill water suction ring + chuck handle 130	160.12.00 K	1	
13	Drill water suction ring + chuck screw 130	160.13.00 K	1	
14	Membrane	160.14.00 K	1	

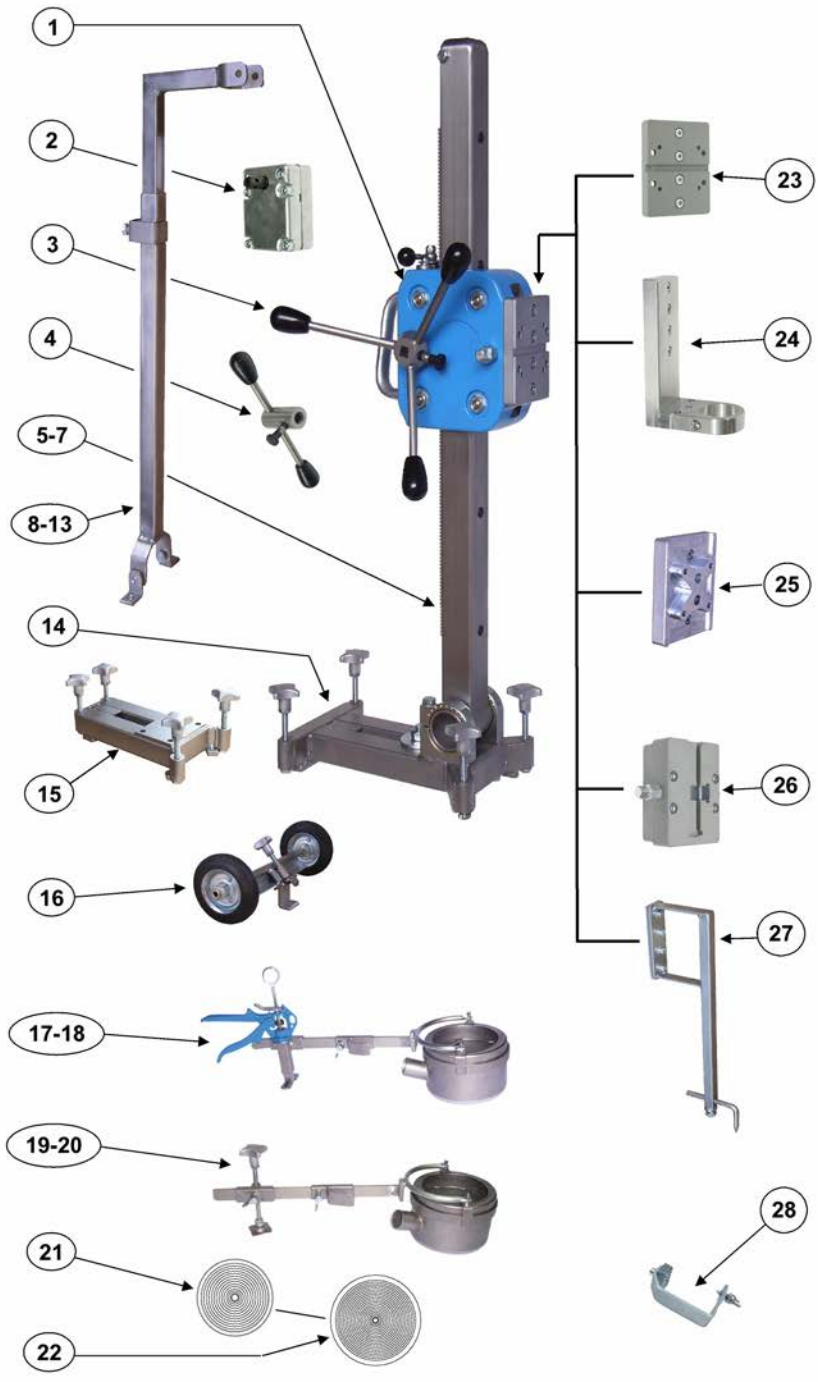
Technical Specifications KF 160:

Max. drilling diameter	10-160 mm
Carriage feed path	520 mm
Weight with clamp	11,5 kg
Total height mm	800
Motor power max.	2,3 KW
Speed gearboxes	1:14

For more information, please visit: www.flei-ka.de

Please visit us at: www.facebook.com/fleikasoyen

Drill Stands KF 250



components and parts list KF 250

Item	Designation	Order no.	Piece	Price/Piece
1	Carriage with colour cpl.	150.1.0 KF K F	1	
2	Step up gear 1:2,6 cpl.	150.12.00 K	1	
3	Crank cpl.	150.2.0 K	1	
4	Single lever crank cpl.	150.2.50 K	1	
5	Column LG 820 with flexible bracket cpl.	150.6.0 KF G.K	1	
6	Column LG 1300 with flexible bracket cpl.	150.6.13 KF G.K	1	
7	Column LG 1960 with flexible bracket cpl.	150.6.20 KF G.K	1	
8	Support 820 mm cpl.	250.18.00 K	1	
9	Support 1300 mm cpl.	250.19.00 K	1	
10	Support 1960 mm cpl.	250.20.00 K	1	
11	Support 820 mm for retrofiting	250.21.00 K	1	
12	Support 1300 mm for retrofiting	250.22.00 K	1	
13	Support 1960 mm for retrofiting	250.23.00 K	1	
14	Foot plate steel cpl.	150.4.0 ST K	1	
15	Foot plate steel cpl. small	150.4.0 ST.Sch K	1	
16	Wheel Kit cpl.	250.4.6 K	1	
17	Drill water suction ring + chuck handle D132 cpl.	250.8.0 K	1	
18	Drill water suction ring + chuck handle D202 cpl.	250.9.0 K	1	
19	Drill water suction ring + chuck screw D132 cp	250.8.01 K	1	
20	Drill water suction ring + chuck screw D202 cp	250.9.01 K	1	
21	Membrane D 132	150.8.7	1	
22	Membrane D 202	250.8.7	1	
23	Drilling motor plate cpl.	150.1.18 K	1	
24	Instep neck adapter cpl.	150.11.0 K	1	
25	Motor plate for Hilti-Engines cpl.	250.1.18 H K	1	
26	Quick change distance piece 50 mm cpl.	150.1.19 BG K	1	
27	Drilling middles indicator, m.d. 115-150 mm cpl.	250.10.2 K	1	
28	End stop cpl.	150.6.30 K	1	

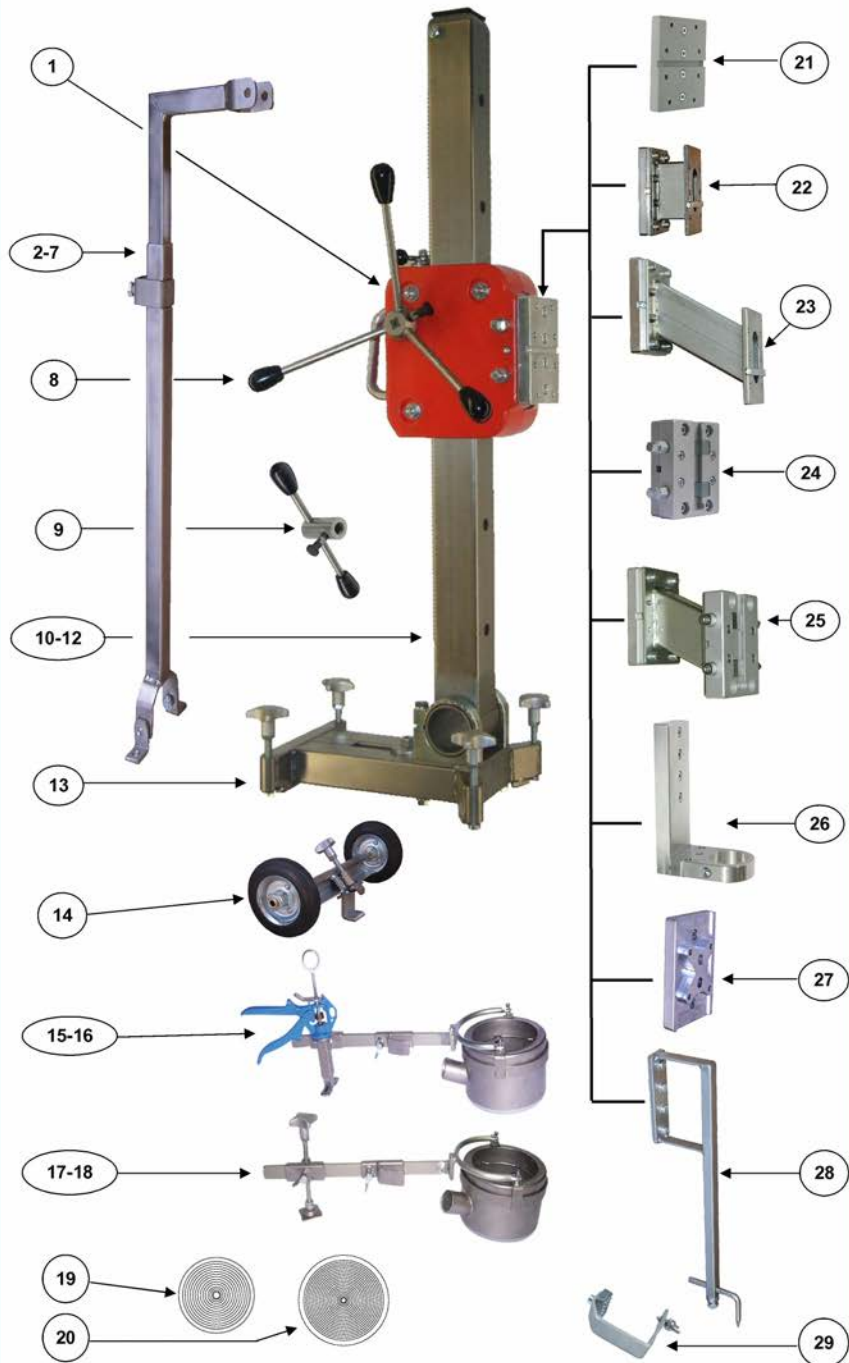
Technical specifications KF 250:

Max. drilling diameter	250 mm
Carriage feed path	590 mm
Weight	16 kg
Total height mm	950
Motor power max.	3,3 KW
Speed gearboxes	1:11

For more information, please visit: www.flei-ka.de

Please visit us at: www.facebook.com/fleikasoyen

Drill Stands KF 400



components and parts list KF 400

Item	Designation	Order no.	Piece	Price/Piece
1	Carriage cpl. with colour	250.1.0 K F	1	
2	Support 1000 mm cpl.	400.18.00 K	1	
3	Support 1400 mm cpl.	400.19.00 K	1	
4	Support 2000 mm cpl.	400.20.00 K	1	
5	Support 1000 mm for retrofiting	400.21.00 K	1	
6	Support 1400 mm for retrofiting	400.22.00 K	1	
7	Support 2000 mm for retrofiting	400.23.00 K	1	
8	Crank kpl.	250.2.0 K	1	
9	Single lever crank cpl.	600.3.0 K	1	
10	Column 1000 cpl with flexible bracket	250.6.0 KF G.K	1	
11	Column 1400 cpl with flexible bracket	600.6.014 G.K	1	
12	Column 2000 cpl with flexible bracket	600.6.020 G.K	1	
13	Foot plate steel cpl.	250.4.0 ST.K	1	
14	Wheel Kit cpl.	250.4.6 K	1	
15	Drill water suction ring + chuck handle D132 cpl.	250.8.0 K	1	
16	Drill water suction ring + chuck handle D202 cpl.	250.9.0 K	1	
17	Drill water suction ring + chuck screw D132 cp	250.8.01 K	1	
18	Drill water suction ring + chuck screw D202 cp	250.9.01 K	1	
19	Membrane D 132	150.8.7	1	
20	Membrane D 202	250.8.7	1	
21	Drilling motor plate cpl.	250.1.18 K	1	
22	Spacer 110 mm cpl.	400.2.0 BD K	1	
23	Spacer 190 mm cpl.	600.2.0 BD K	1	
24	Quick change distance piece 50 mm cpl.	600.1.19 BG K	1	
25	Quick change distance piece 170 mm cpl.	600.2.01 BDG K	1	
26	Instep neck crank cpl.	150.11.0 K	1	
27	Motor plate for Hilti-Engines cpl.	400.1.18 H K	1	
28	Drilling middles indicator, m.d. 115-150 mm cpl.	250.10.2 K	1	
29	End stop cpl.	250.6.30 K	1	

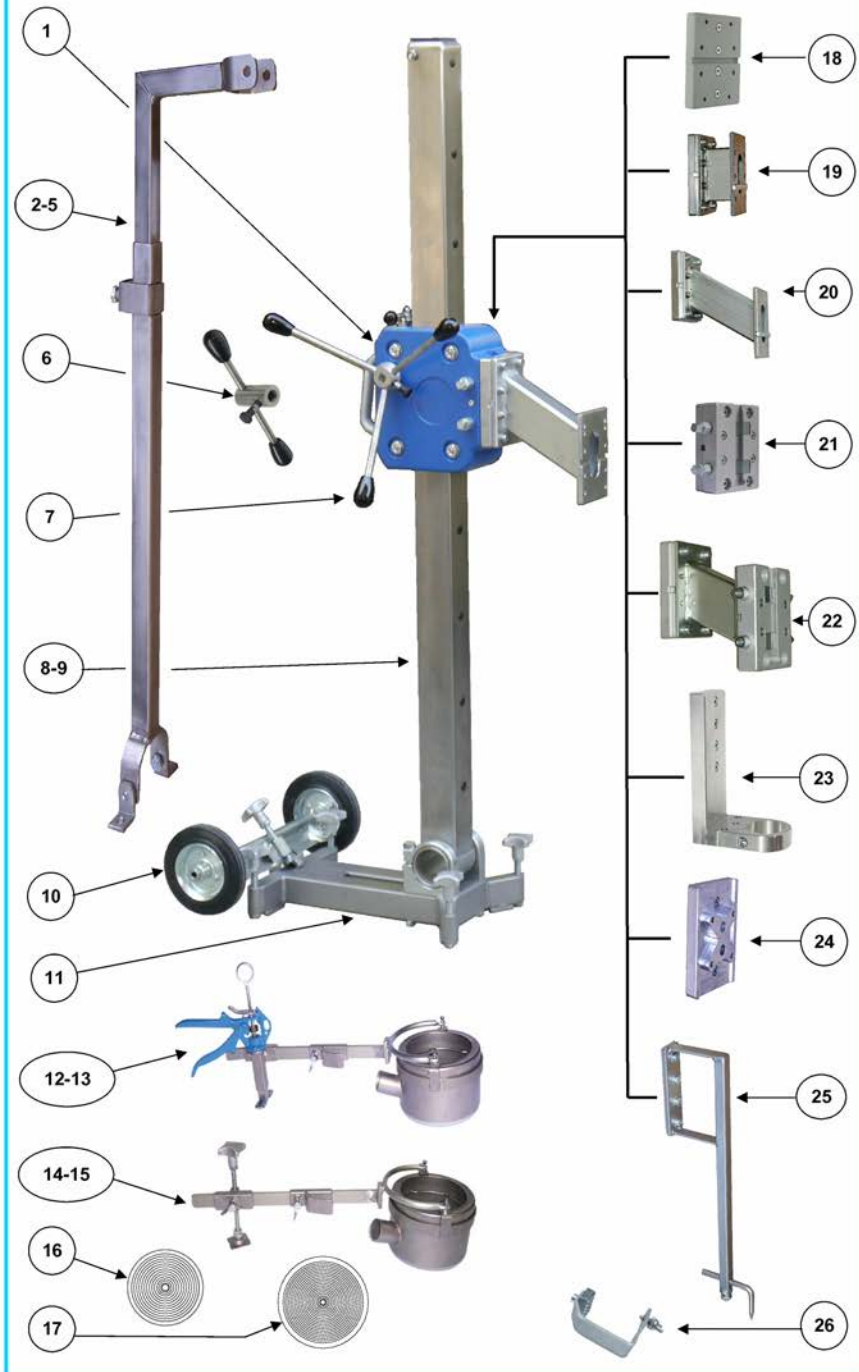
Technical specifications KF 400:

Max. drilling diameter	400 mm
Carriage feed path	690 mm
Weight	26 kg
Total height mm	1140
Motor power max.	5,3 KW
Speed gearboxes	1:20

For more information, please visit: www.flei-ka.de

Please visit us at: www.facebook.com/fleikasoyen

Drill Stands KF 600



components and parts list KF 600

Item	Designation	Order no.	Piece	Price/Piece
1	Carriage with colour cpl.	601.1.0 KF	1	
2	Support 1400 mm cpl.	400.19.00 K	1	
3	Support 2000 mm cpl.	400.20.00 K	1	
4	Support 1400 mm for retrofiting	400.22.00 K	1	
5	Support 2000 mm for retrofiting	400.23.00 K	1	
6	Spring lever crank cpl.	600.3.0 K	1	
7	Crank cpl.	250.2.0 K	1	
8	Column 1400 mm with flexible bracket cpl.	600.6.014 G.K	1	
9	Column 2000 mm with flexible bracket cpl.	600.6.020 G.K	1	
10	Wheel Kit cpl.	600.1.06 K	1	
11	Foot plate steel cpl.	600.4.0 ST.K	1	
12	Drill water scution ring + chuck handle D132 cpl.	250.8.0 K	1	
13	Drill water scution ring + chuck handle D202 cpl.	250.9.0 K	1	
14	Drill water suction ring + chuck screw D132 cpl.	250.8.01 K	1	
15	Drill water suction ring + chuck screw D202 cpl.	250.9.01 K	1	
16	Membrane D 132	150.8.7	1	
17	Membrane D 202	250.8.7	1	
18	Drilling motor plate cpl.	600.1.18 K	1	
19	Spacer 110 mm cpl.	400.2.0 BD K	1	
20	Spacer 190 mm cpl.	600.2.0 BD K	1	
21	Quick change distance piece 50 mm cpl.	600.1.19 BG K	1	
22	Quick change distance piece 170 mm cpl.	600.2.01 BDG K	1	
23	Instep neck adapter cpl.	150.11.0 K	1	
24	Motor plate for Hilti Engines cpl.	400.1.18 H K	1	
25	Drilling middles indicator, m.d. 115-150 mm cpl.	250.10.2 K	1	
26	End stop cpl.	250.6.30 K	1	

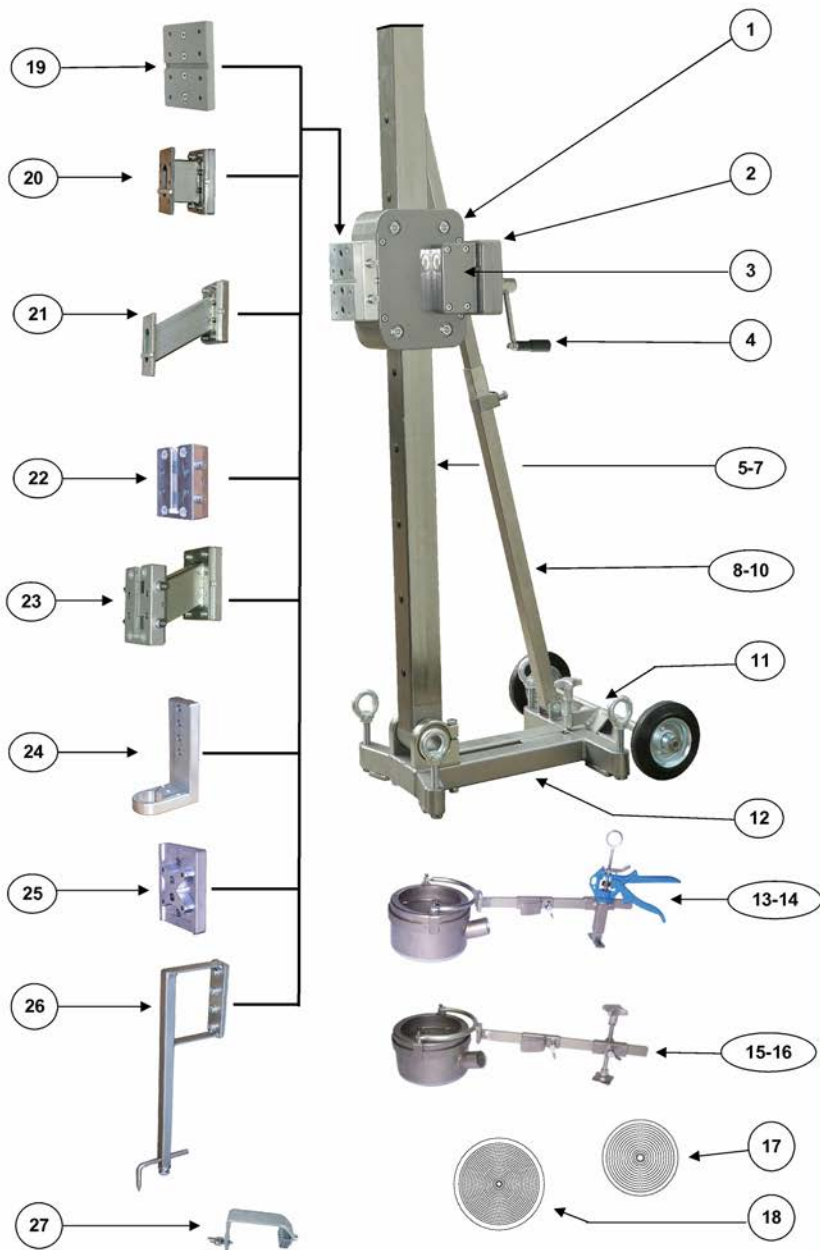
Technical specifications KF 600:

Max. drilling diameter	600 mm
Carriage feed path	1090 mm
Weight	37 kg
Total height mm	1540
Motor power max.	5,3 KW
Speed gearboxes	1:20

For more information, please visit: www.flei-ka.de

Please visit us at: www.facebook.com/fleikasoyen

Drill Stands KF 700



components and parts list KF 700

Item	Designation	Order no.	Piece	Price/Piece
1	Carriage cpl. with gear (silvergrey)	700.1.2.3 K	1	
2	Front gear cpl.	700.3.0 K	1	
3	Worm gears cpl.	700.2.0 K	1	
4	Crank cpl.	700.5.0 K	1	
5	Column 1000 mm with flexible bracket cpl.	700.6.0 G.K.	1	
6	Column 1400 mm with flexible bracket cpl.	600.6.014 G.K	1	
7	Column 2000 mm with flexible bracket cpl.	700.6.020 G.K	1	
8	Support 1000 mm cpl.	700.18.00 K	1	
9	Support 1400 mm cpl.	700.19.00 K	1	
10	Support 2000 mm cpl.	700.20.00 K	1	
11	Wheel Kit cpl.	700.1.06 K	1	
12	Foot plate steel cpl.	700.9.0 K	1	
13	Drill water suction ring + chuck handle D132 cpl.	250.8.0 K	1	
14	Drill water suction ring + chuck handle D202 cpl.	250.9.0 K	1	
15	Drill water suction ring + chuck screw D132 cpl.	250.8.01 K	1	
16	Drill water suction ring + chuck screw D202 cpl.	250.9.01 K	1	
17	Membrane D 132	150.8.7	1	
18	Membrane D 202	250.8.7	1	
19	Drilling motor plate cpl.	700.1.18 K	1	
20	Spacer 110 mm cpl.	400.2.0 BD K	1	
21	Spacer 190 mm cpl.	600.2.0 BD K	1	
22	Quick change distance piece 50 mm cpl.	600.1.19 BG K	1	
23	Quick change distance piece 170 mm cpl.	600.2.01 BDG K	1	
24	Instep neck adapter cpl.	150.11.0 K	1	
25	Motor plate for Hilti Engines cpl.	400.1.17 H K	1	
26	Drilling middles indicator, m.d. 115-150 mm cpl.	250.10.2 K	1	
27	End stop cpl.	250.6.30 K	1	

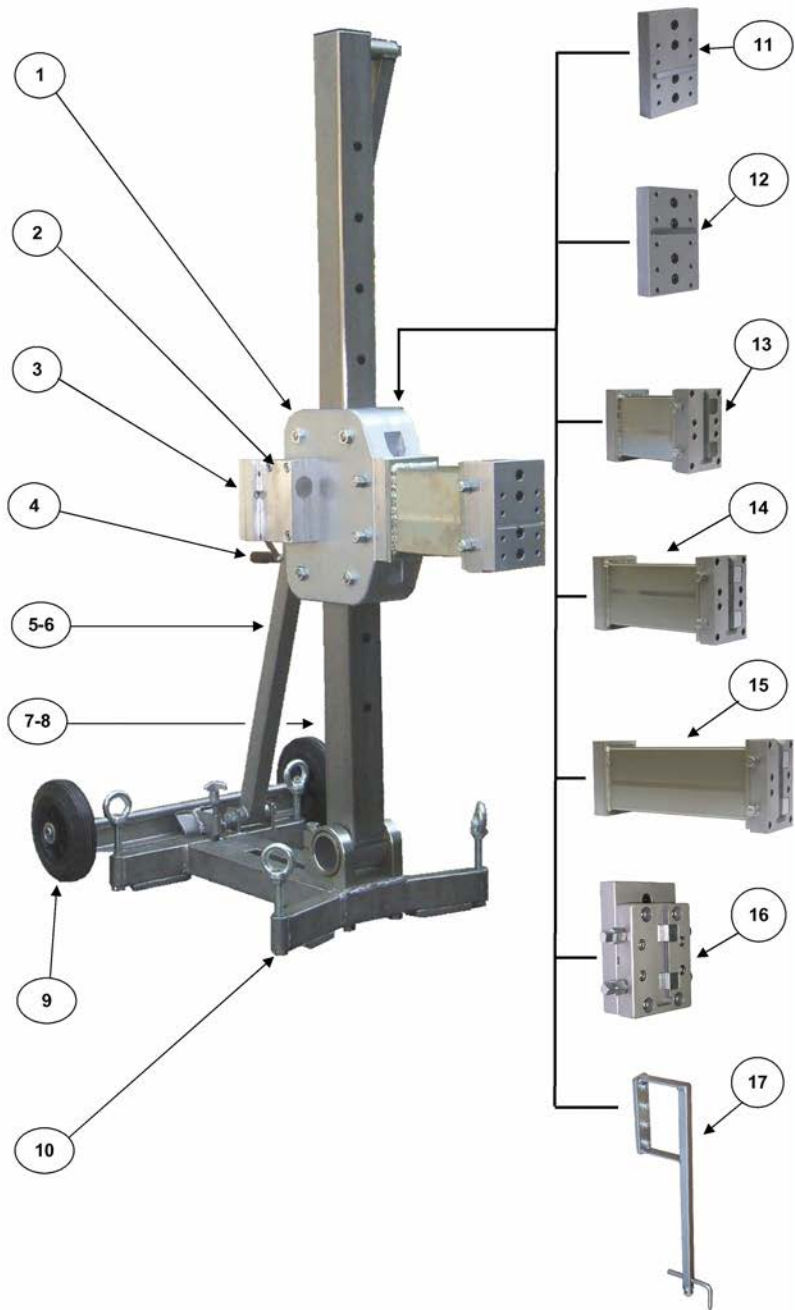
Technical specifications KF 700:

Max. drilling diameter	700 mm
Carriage feed path	1010 mm
Weight	43 kg
Total height mm	1540
Motor power max.	7,5 KW
Speed gearboxes	1:51/1:21

For more information, please visit: www.flei-ka.de

Please visit us at: www.facebook.com/fleikasoyen

Drill Stands KF 1000



components and parts list KF 1000

Item	Designation	Order no.	Piece	Price/Piece
1	Carriage cpl.	1000.1.0 K	1	
2	Worm gears cpl.	1000.2.0 K	1	
3	Front gear cpl.	1000.3.0 K	1	
4	Crank cpl.	1000.5.0 K	1	
5	Support 1450 mm cpl.	1000.8.0 K	1	
6	Support 2000 mm cpl.	1000.8.01 K	1	
7	Column 1450 cpl.	1000.6.0 K	1	
8	Column 2000 cpl.	1000.6.020 K	1	
9	Wheel kit cpl.	1000.12.0 K	1	
10	Foot plate stainless steel cpl.	1000.9.0 K	1	
11	Motor plate for Weka Engines cpl.	1000.4.0 K W	1	
12	Motor plate for Cardi Engines cpl.	1000.4.0 K C	1	
13	Quick change distance piece 200mm cpl. D1000	1000.10.01 BDG K	1	
14	Quick change distance piece 300mm cpl. D1200	1000.10.02 BDG K	1	
15	Quick change distance piece 400mm cpl. D1400	1000.10.03 BDG K	1	
16	Quick change adapter for Engines - 5,3 KW cpl.	1000.10.04 BG K	1	
17	Drilling middles indicator, m.d. 115-150 mm cpl.	250.10.2 K	1	

Technical specifications KF 1000:

Max. drilling diameter	1000 mm
Carriage feed path	1080 mm
Weight	65 kg
Total height mm	1650
Motor power max.	8,0 KW
Speed gearboxes	1:51/1:21

For more information, please visit: www.flei-ka.de

Please visit us at: www.facebook.com/fleikasoyen

Practice pictures







Sales partners



DTB Diamanttechnik Bodung
www.dtb-bodung.de

DIAMASA
www.diamasa.de

Dr. Schulze
www.dr-schulze.de

Heger GmbH
www.heger.com

EDT Eurodima GmbH
www.eurodima.com

Geißler + Kuper
www.geissler-kuper.de

WP GmbH
www.wpcelle.de

DTI-M
www.dti-m.de

Hitec GmbH
www.hitec-tools.com

ADT Diamant Technik
<https://adt-diamanttechnik.de>

Soldia GmbH
www.soldia.de

Norbert Deckers
www.deckers-diamantwerkzeuge.de

Frank Rieger
www.diamant-am-bau.de

Fleika Maschinen und Anlagenbau GmbH Co. KG

Koblberg 1, 83564 Soyen, Tel. 0049-8071-95094, Fax 0049-8071-51375, E-Mail: info@fleika.de